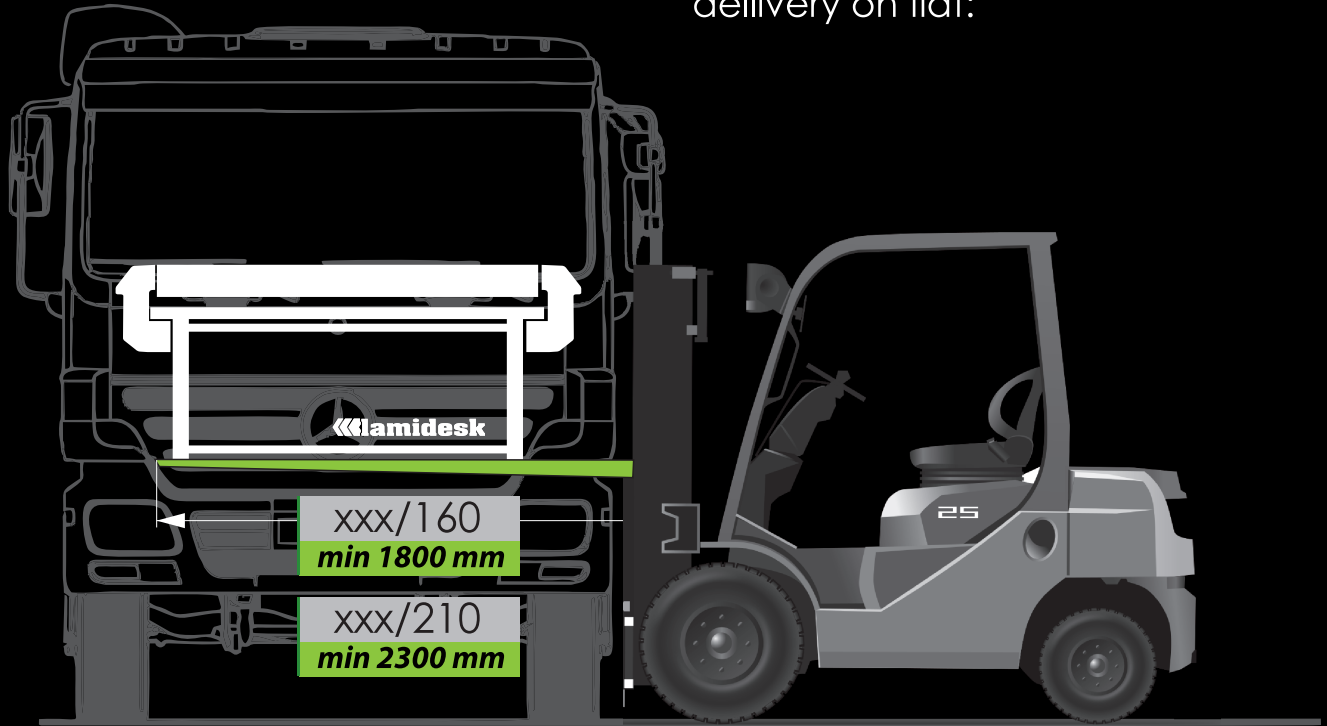




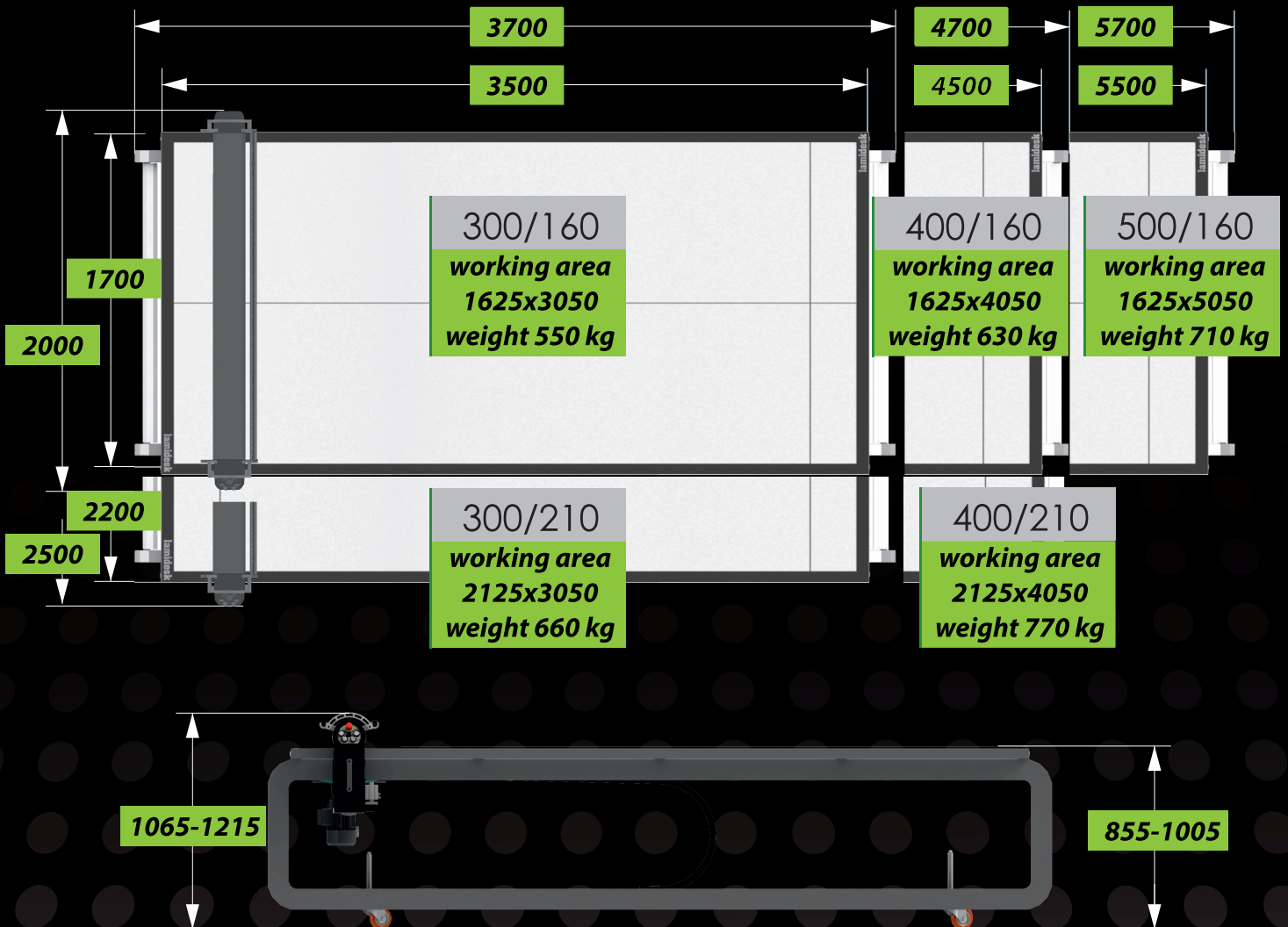
# TRANSPORT INFORMATION

dellivery on flat:



dimension

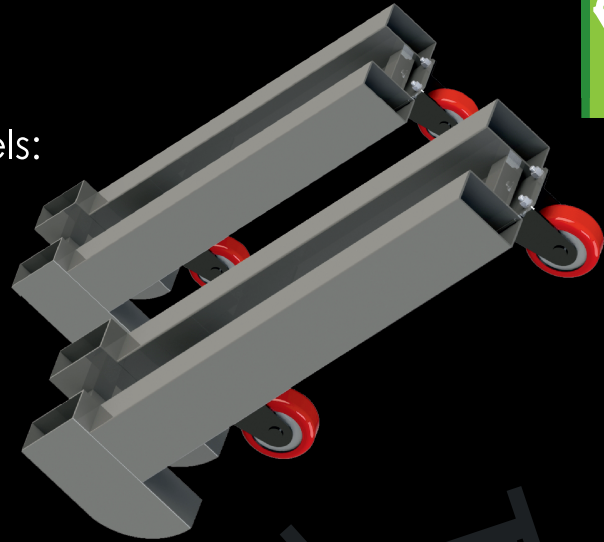
## Dimension & weight





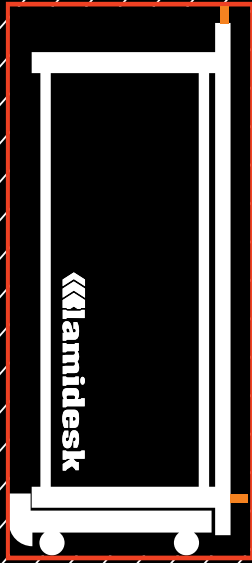
installation wheels:

moving machine on side:



xxx/xxx

min. 900 mm



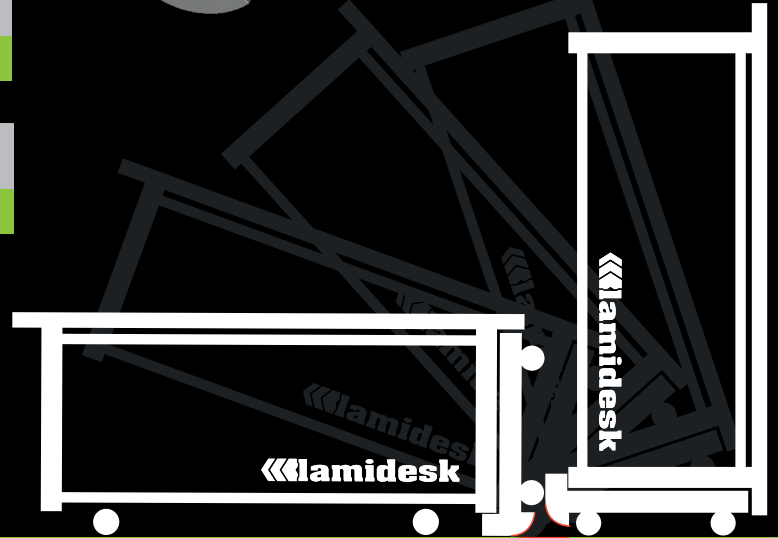
gap 20 mm

xxx/160

min 1850 mm

xxx/210

min 2350 mm



6-8 people needed for turning

# INSTALLATION USING CRANE

