

# lamidesk

## Compact CL 2019

### FLATBED APPLICATORS



CARBON FIBRE COVER DESIGN  
BRUSHED STAINLESS STEEL PARTS  
COVERED LINEAR GUIDE  
END POSITION HYDRAULICS  
SHOCK ABSORBERS

## MOTOR & LED BACKLIGHT AVAILABLE



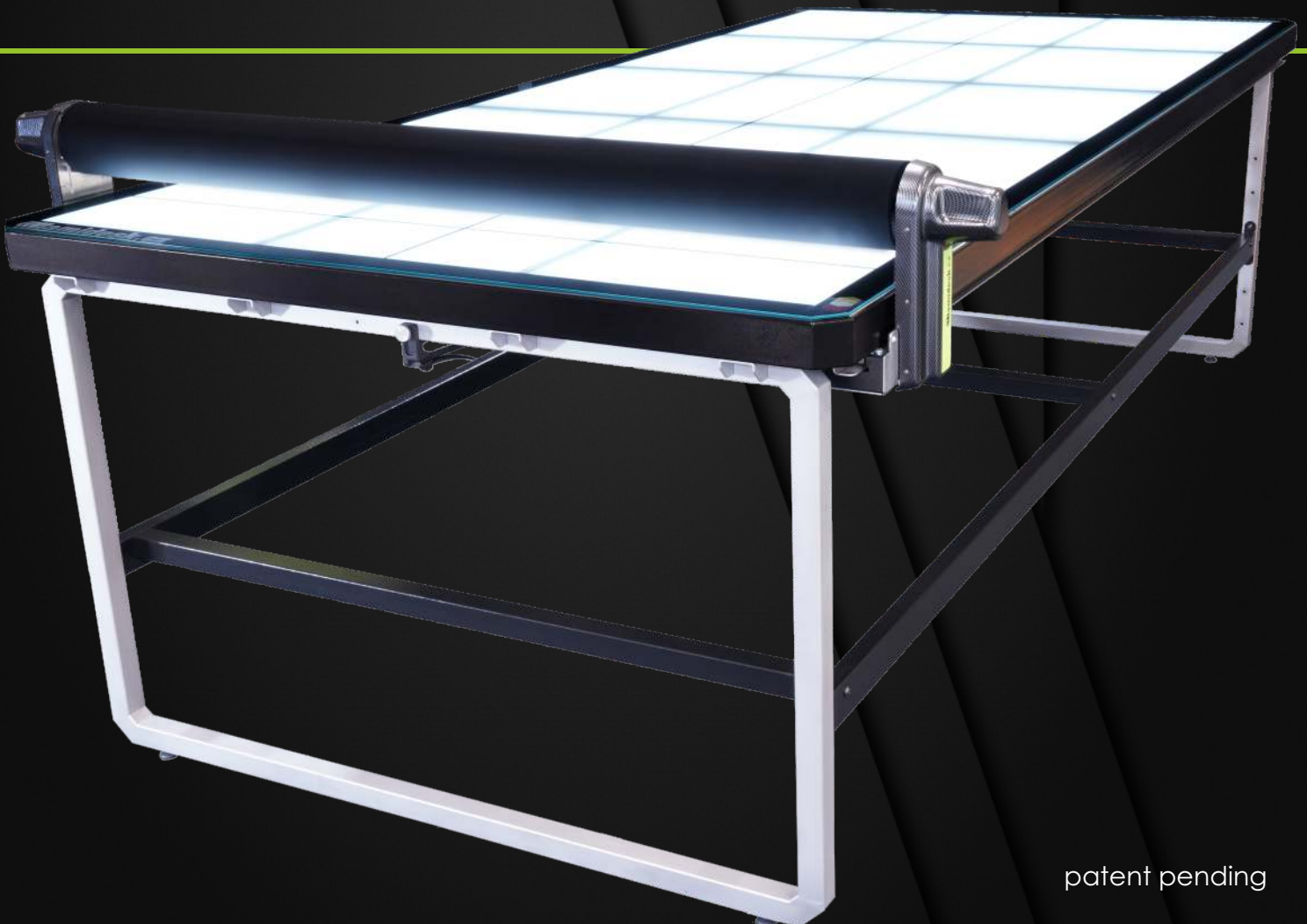
DESIGNED AND MANUFACTURED IN CZECH REPUBLIC



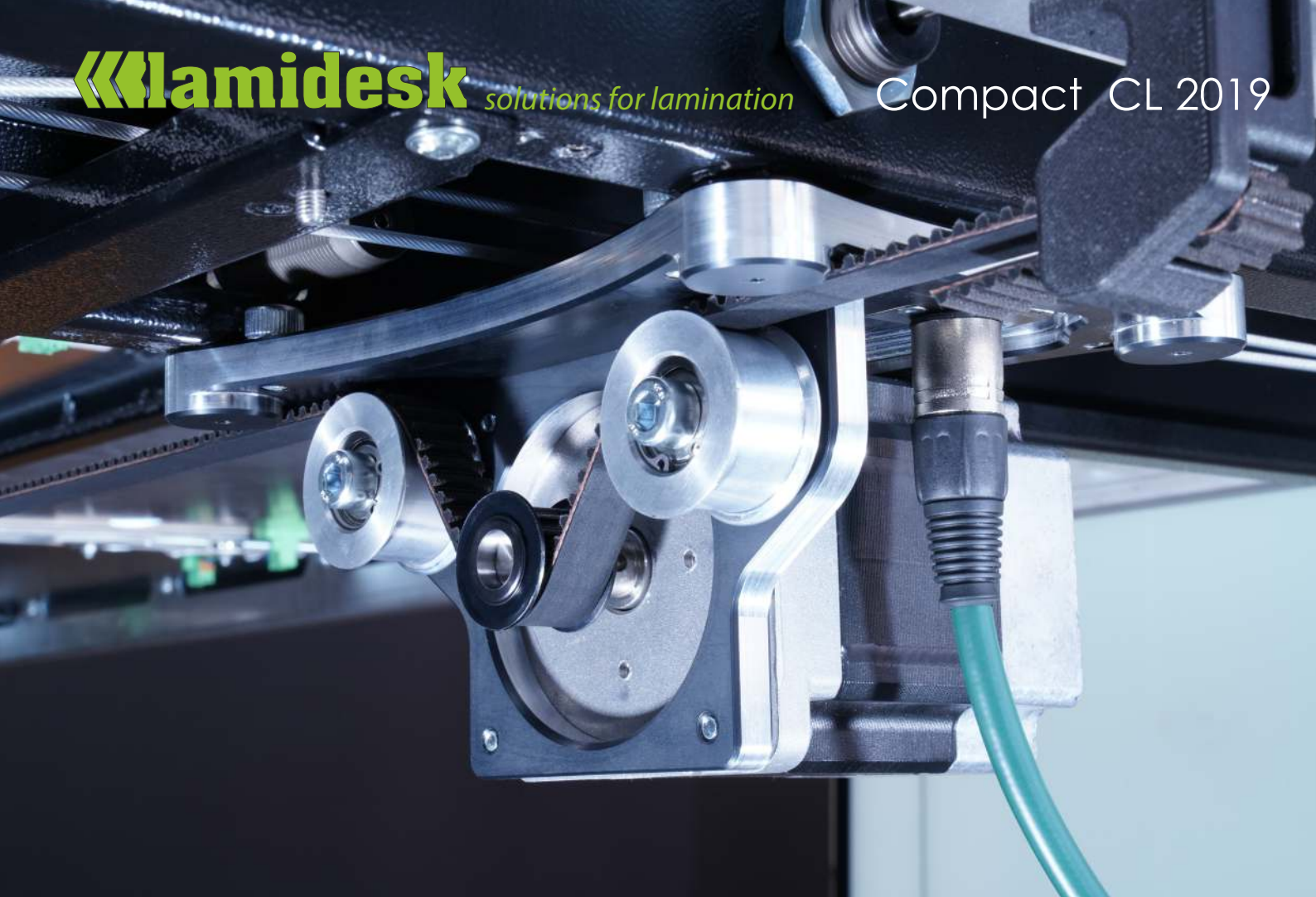
APPLICATION ROLLER



PNEUMATIC COMPONENTS



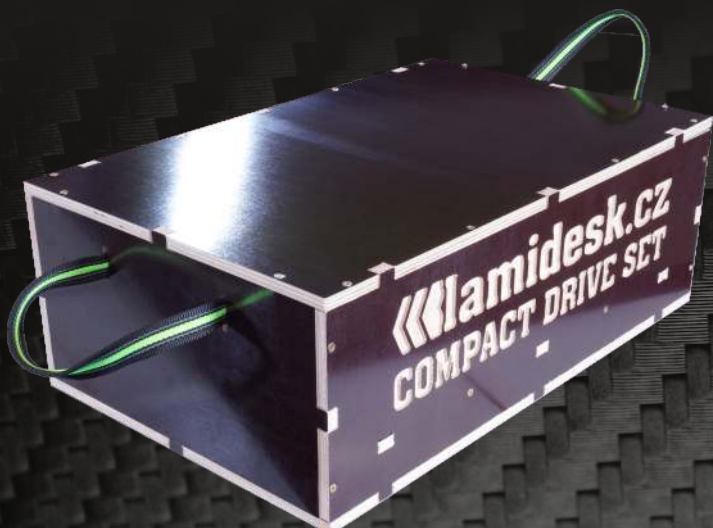
patent pending



## | optional motor drive set available |

A powerful motor gives your applicator another dimension. This dimension is efficiency. We have one decade's experience with motorised machines. Our customers appreciate the ease-of-use, rapid application and excellent results.

The motor set can be added to any Compact CL2019 machine at any time, by the user and in only a few minutes.  
motor + flatbed applicator = more speed, ease-of-use and great results



**lamidesk** solutions for lamination

Compact CL 2019



## | LED backlight 280W |

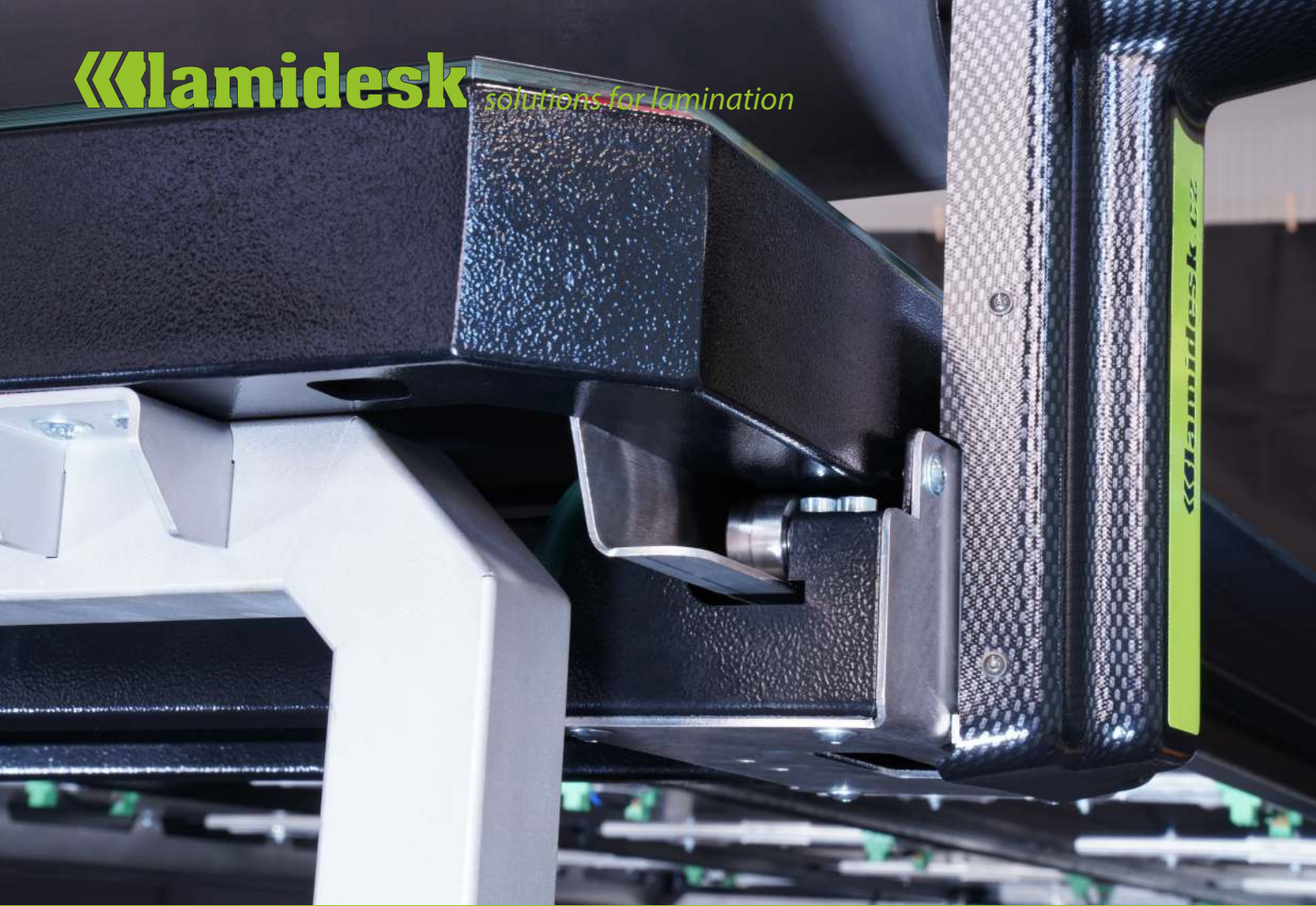
The backlight set can be added to any Compact CL2019 machine at any time, by the user and in only a few minutes - no tools needed.

All 15 aluminium plates include magnetic holders for easy click-in/click-out mounting and disassembly.

An incredible 280 watts of LED power adds another dimension to your work. Takes the stress out of the alignment process!

Set includes: 15 LED plates, all connection wiring  
MeanWell power supply 280W 24V

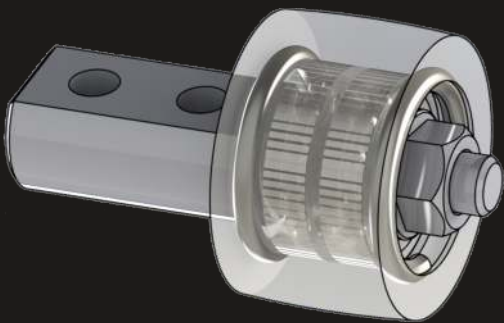




## | precision guide, fits perfectly |

## Compact CL 2019

Single metal bearings rolling directly on the guide surface are a poor manufacturing solution. We don't do this! Each Compact pulley contains two precision bearings encased in a protective housing. This results in amazing durability, extreme accuracy and much longer machine life....

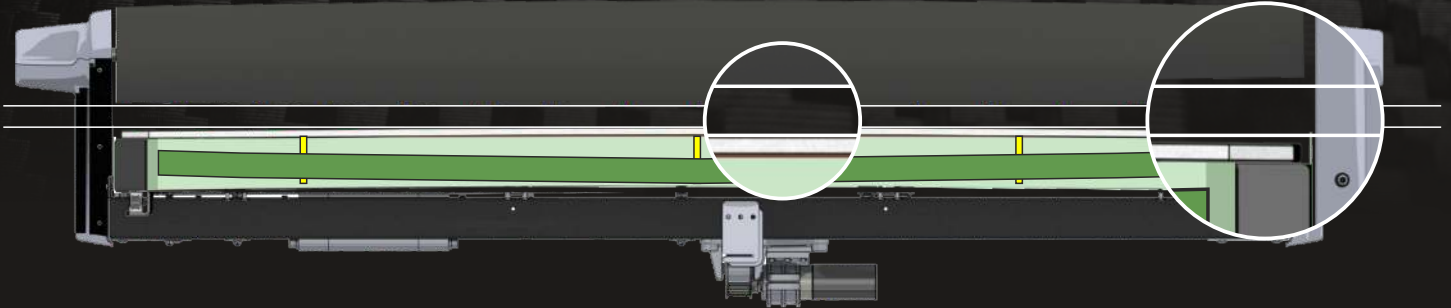


## | application roller from Germany |

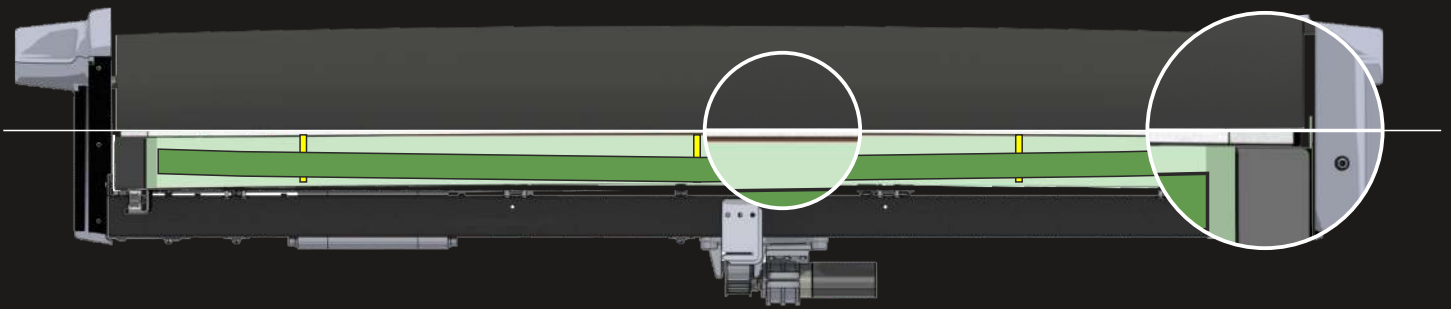
Our perfectly manufactured roller using a CNC brush machine, German rubber and German precision will help you in your work every day. The roller is the key component on a flatbed applicator. Consequently, this part needs to be accurate, durable and easy to maintain. Our rollers are alcohol, oil and abrasion resistant, resulting in excellent lifespan and simple maintenance procedures.



convex table surface &  
CNC brushed convex roller

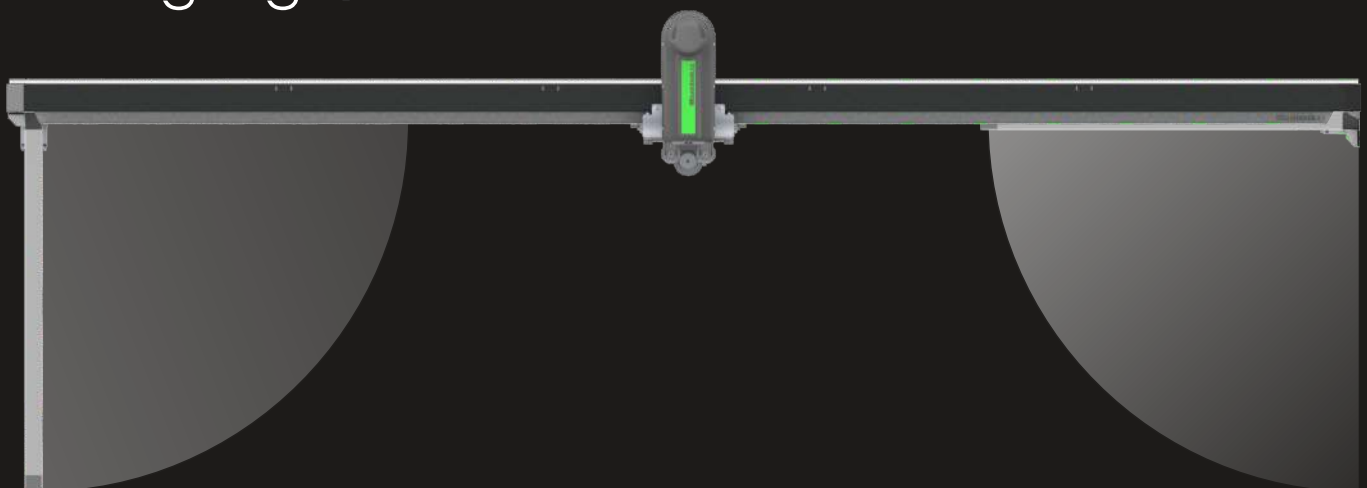


— internal embedded reinforcement — set screws



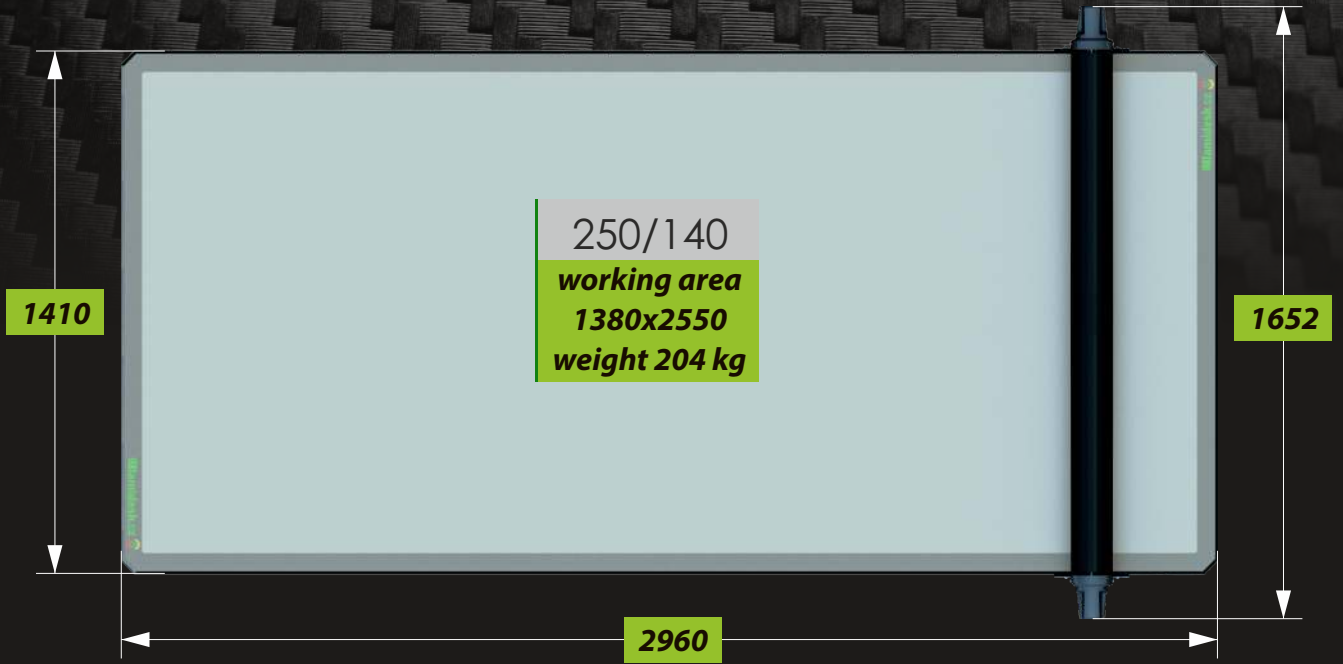
Perfectly flat when roller is lowered - this is the key to a reliable applicator. Our (patent pending) solution using two internally embedded beams gives incredible reliability and stability to the table...

| folding legs |

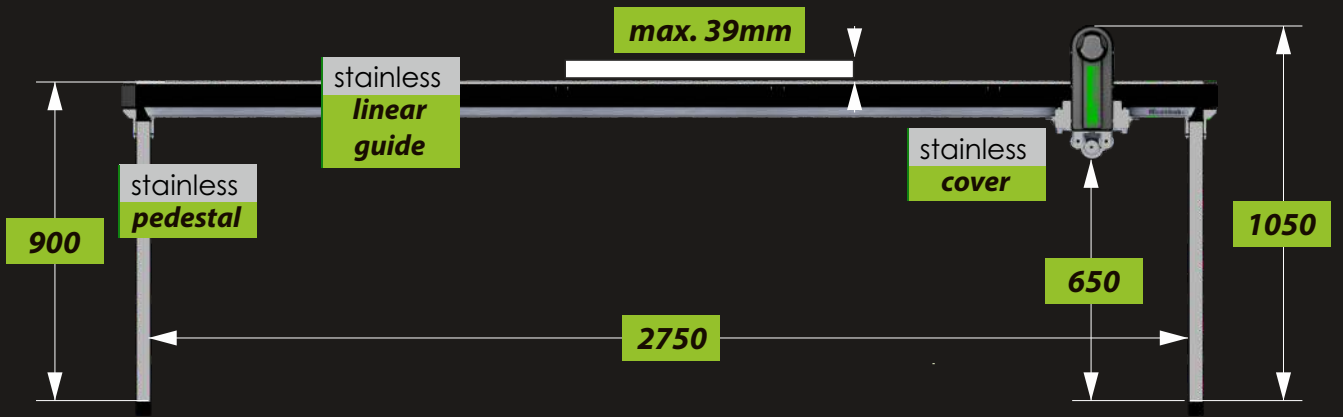


Folding legs make the initial assembly quick and easy. The Compact can be moved from one room to another in just a few minutes. Optional shelves can be easily added thanks to pre-threaded mounting points.

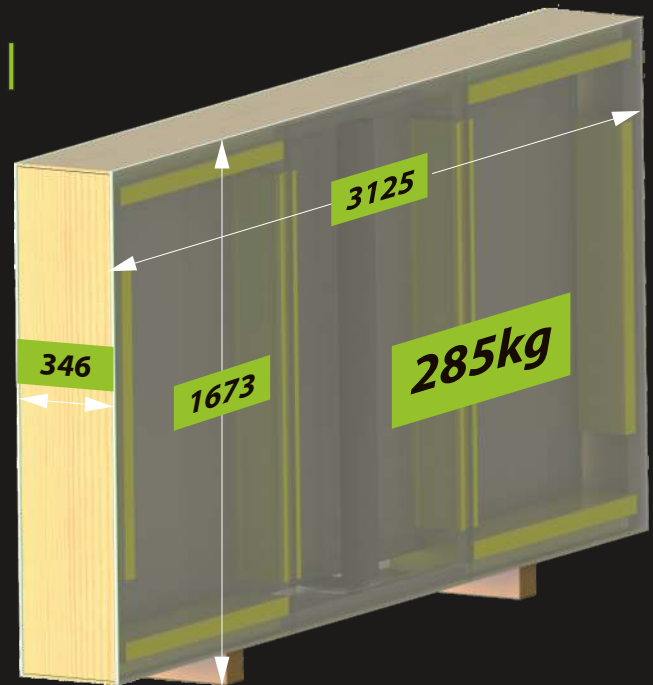
| machine footprint, working area |



| stainless parts |



| wooden box |





## TWO END POSITION HYDRAULIC SHOCK ABSORBERS

They optimize machine performance in a reliable and effective manner by decelerating the roller at the table ends quickly and without recoil.

MANUFACTURER:

DEALER:

**Lamidesk s.r.o.** Street: **Hrudkov 79**  
City: **Vyšší Brod**, ZIP: **382 79** Country: **Czech**  
VAT: **CZ0565774**  
phone: **+420 604 349 624**  
web: [www.lamidesk.cz](http://www.lamidesk.cz)

