

STAINLESS ROLLSTAND

article number:
LA001618

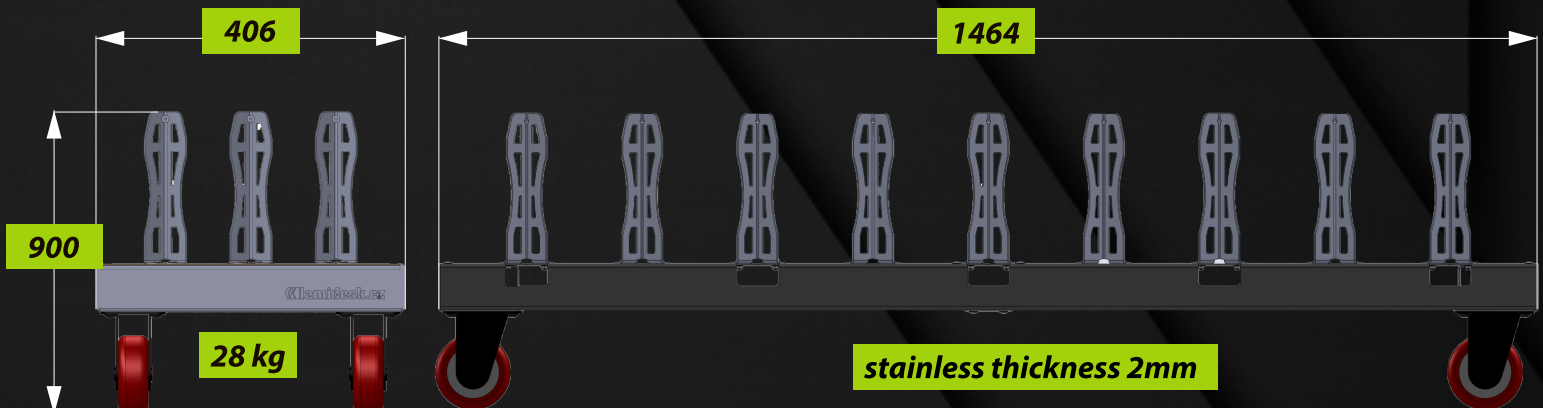
14 rolls - core 76mm



solution for lamination

lamidesk

dimension
Dimension & weight



lamidesk *solution for lamination*

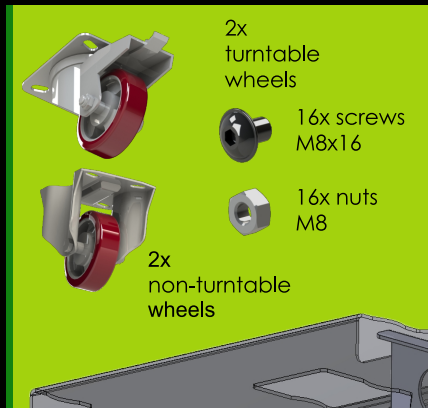
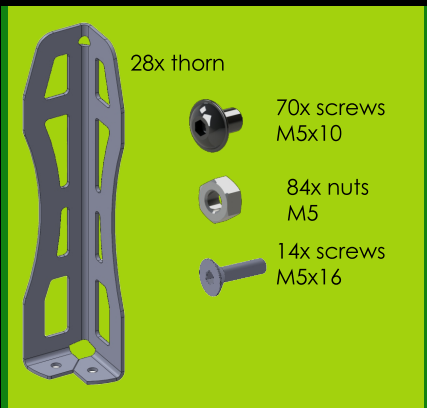
Unboxing, content, assembling



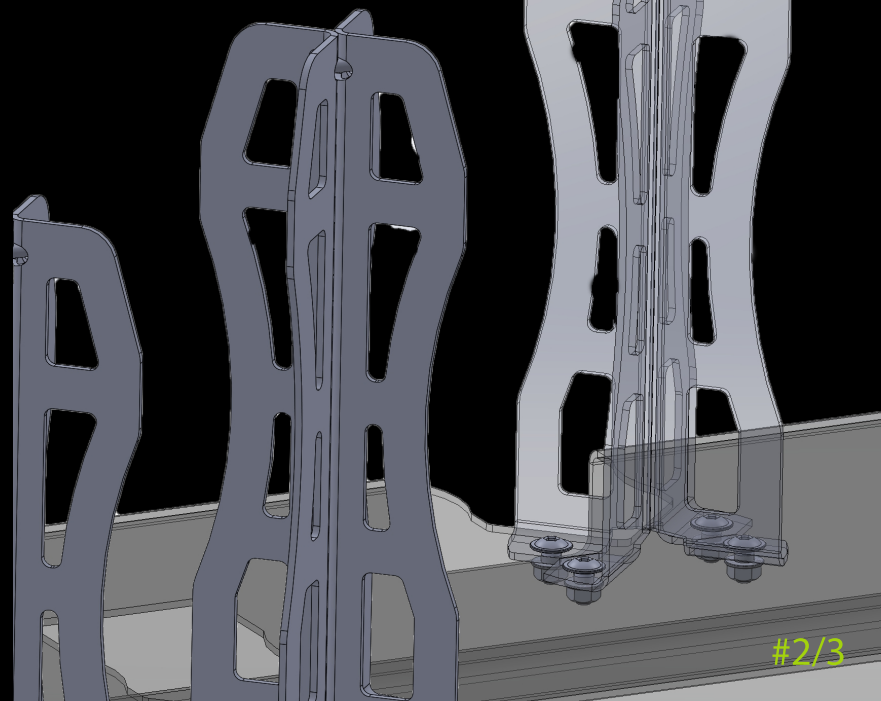
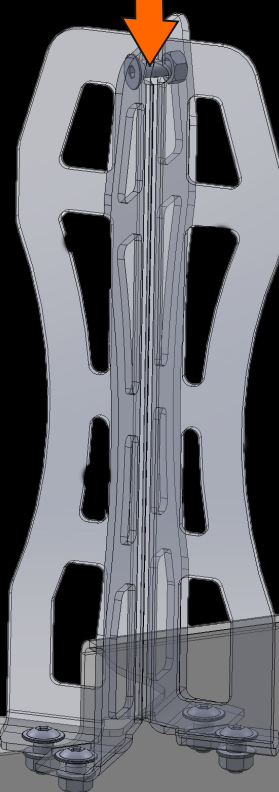
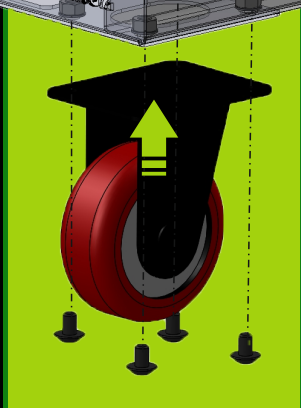
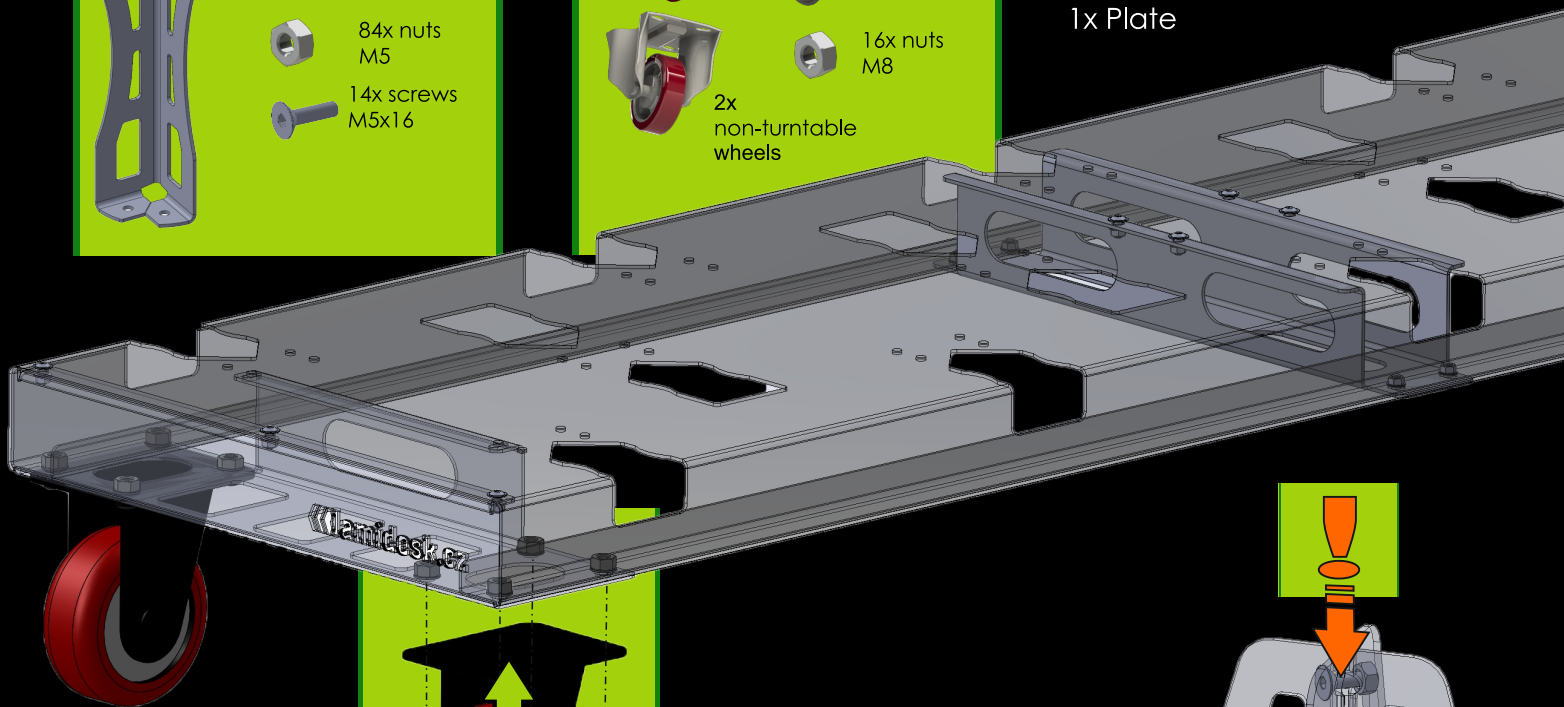
Tools needed: Nr.13
(not included)



Packed in cardboard box
435x125x1502mm - 30kg



1x Plate





Safety instructions

- DO NOT stand on this product. You may fall which may cause personal injury.
- Floor have to be flat and clean - otherwise products could become unstable and tip, which may cause personal injury or product damage.
- WEAR SAFETY GLASSES when product is assembled. The tool could slip which may cause personal injury.
- When moving this product, do not pull it. Push the product to prevent personal injury.
- Handle and swivel casters must be attached on the same side of the product.
- USE THE BRAKES when not moving this product. This will prevent the product from rolling, which may cause personal injury or product damage.
- DO NOT mount this product on a truck bed or any other moving object. This may cause personal injury or product damage.
- Appropriately secure this product before moving it with a forklift.
- DO NOT tow with power equipment. The product could tip, which may cause personal injury or product damage.
- DO NOT alter this product in any manner. For example, do not weld external tockbars or attach electrical equipment. This may cause product damage or personal injury.
- Keep the product on level surfaces. The product may become unstable and tip if stored or moved on an un-level surface, which may cause personal injury or product damage.
- The maximum weight for each thorns should be no more than 20 kg.

MANUFACTURER:

Lamidesk s.r.o.

Street: **Hrudkov 79**

City: **Vyšší Brod , ZIP: 382 79**

Country: **Czech**

VAT: **CZ05657741**

phone: **+420 604 349 624**

web: www.lamidesk.cz

| DEALER |